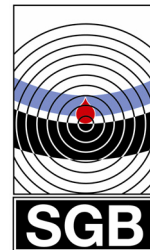


Leak detection technology

For a clean and protected environment



Underpressure leak detector VLX



An underpressure leak detector for the continuous monitoring of double walled tanks and pipes.

Each leak in one of the both walls will be detected, before stored/conveyed product will enter the environment.

A leak detection system with the highest environmental protection level in accordance to the European standard EN 13160.

Liquids to be monitored:

Water polluting liquids:

- with a flash point above $> 55^{\circ}\text{C}$, without potentially explosive vapours; e.g.: diesel
- with flash point below $< 55^{\circ}\text{C}$, potentially explosive vapours of the liquids must be classified in gas group II A or II B and in temperature code T 1 up to T 3; e.g.: gasoline/petrol, jet fuel

For the monitoring of tanks:

- single walled horizontal (under- or aboveground) cylindrical tanks with lining or jacketing
- double walled horizontal cylindrical under- or aboveground tanks
- double walled or single walled with lining or jacketing vertical cylindrical tanks or sumps with dished bottoms.
- Rectangular or cylindrical tanks or sumps with flat bottom (double walled or with lining or jacketing)

Tanks mentioned before, as pressureless tanks with a max. overlay pressure of 50 mbar e.g. due to vapour recovery systems for liquids with a flash point below 55°C and for liquids with a flash point above 55°C also tanks with an overlay overpressure of max. 5 bar and double bottoms of flat bottom tanks.

Interstitial spaces shall fulfil EN 13160.

For the monitoring of pipes:

- Pressureless pipes for liquids with flash point below 55°C , pipes with feed pressures up to 5 bar with flash points above 55°C
- Approved pipes made out of metal or plastic

approval:

Germany: Z-65.22-340 for tanks and Z-65.25-341 for pipes

Type	Alarm ON mbar	Pumpe OFF mbar
VLX 34	50 +/- 15	80 +/- 10
VLX 330	350 +/-20	410 +/- 20
VLX 500	520 +/-20	590 +/- 20
VLX 570	590 +/-20	670 +/- 20

Sold by:

SGB GmbH

Hofstr. 10
Postfach: 21 07 41

D-57076 Siegen
D-57031 Siegen

Tel.: + 49 / (0) 271 / 48964-0
Fax: + 49 / (0) 271 / 48964-6
<http://www.sgb.de>
E-mail: sgb@sgb.de

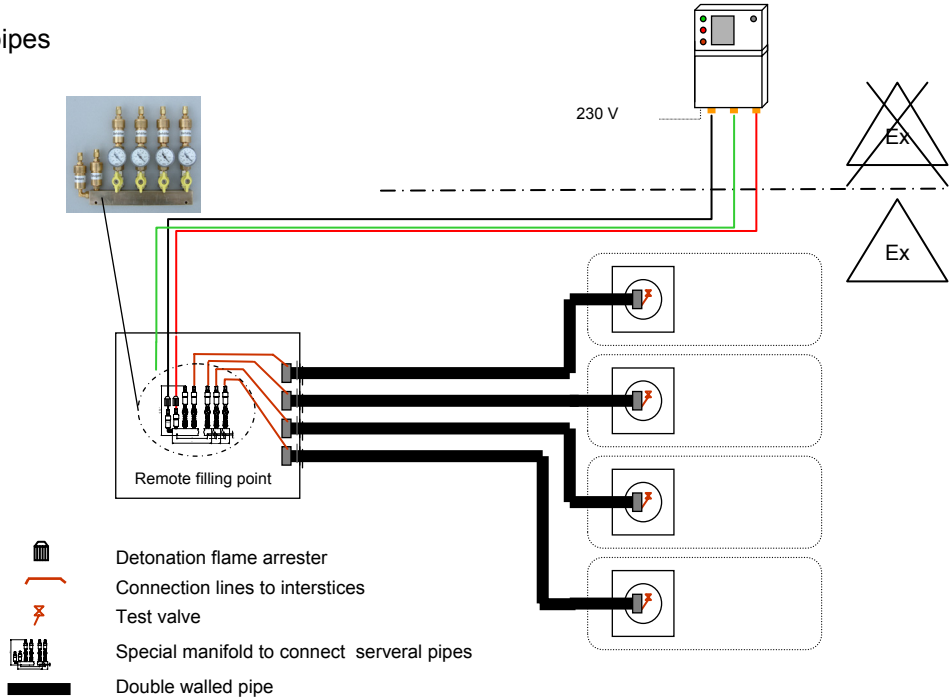
Leak detection technology

For a clean and protected environment

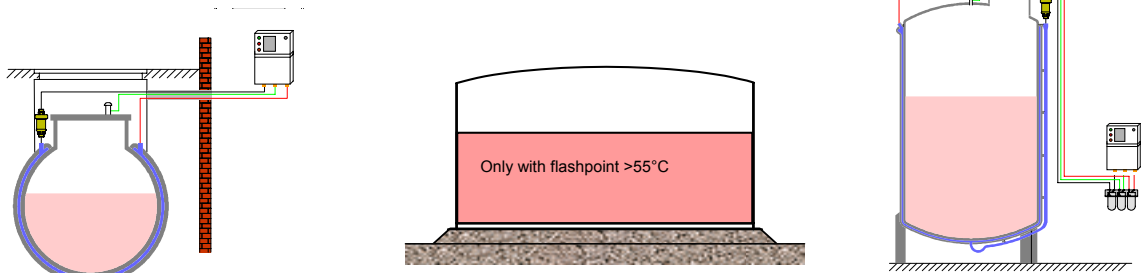


Underpressure leak detector VLX

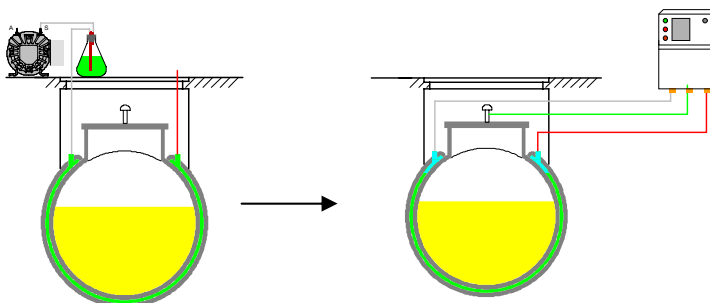
For double walled pipes



For example for cylindrical under- or aboveground tanks or flat bottom storage tanks.



Also for tanks working with leak detection liquid systems, which shall be changed to environmental friendly systems.



We are happy to be of any further assistance.

Subject to changes. Photos and dimensions are not binding for the extend of delivery.

SGB GmbH
 Hofstr. 10
 Postfach: 21 07 41
 Germany

D-57076 Siegen
 D-57031 Siegen

Tel.: + 49 / (0) 271 / 48964-0
 Fax: + 49 / (0) 271 / 48964-6
<http://www.sgb.de>
 E-mail: sgb@sgb.de