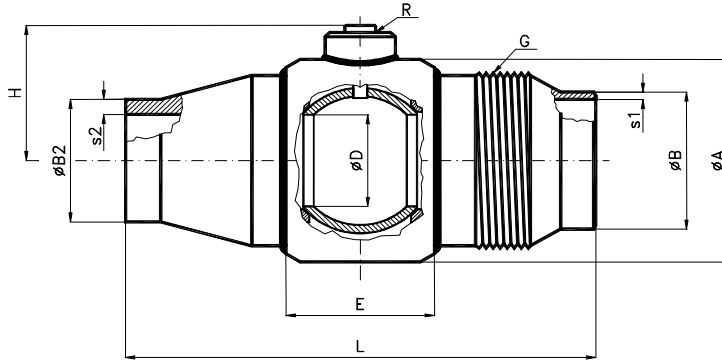


## Danfoss Hot tap valves

Danfoss has 2 ranges of Hot tap valves.

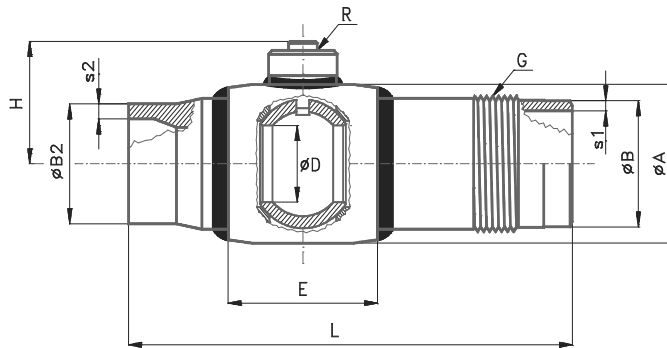
### Range 1 (The original JIP).



Code	DN	ø B	S1	ø D	ø B2	S2	Drill/Saw	L	H	G*	Operation
		mm	mm	mm	mm	mm					
<b>065N0106</b>	20	24,0	2,6	15	24	3,9	ø15	125	34	¾"	Screwdriver
<b>065N0111</b>	25	33,7	2,9	25	37	5,8	ø24	145	46	1 ½"	Allen key 10 mm
<b>065N0116</b>	32	42,4	2,9	25	37	5,8	ø24	145	46	1 ½"	Allen key 10 mm
<b>065N0121</b>	40	48,3	2,9	40	54	6,7	ø40	200	57	2 ½"	Allen key 10 mm
<b>065N0126</b>	50	60,3	3,2	40	54	6,7	ø40	200	57	2 ½"	Allen key 10 mm
<b>065N0131</b>	65	76,1	3,2	50	63	7,0	ø48	260	70	2 ¼"	Allen key 14 mm
<b>065N0136</b>	80	88,9	3,2	65	82	8,0	ø65	265	80	2 ¾"	Allen key 14 mm
<b>065N0141</b>	100	114,3	3,6	80	100	9,0	ø79	275	92	3 ½"	Allen key 14 mm

G\*: DN 65, DN 80 and DN 100 have internal thread

### Range 2 (Designed for Alstom).



Code	DN	ø B	S1	ø D	ø B2	S2	Drill/Saw	L	H	G	Operation
		mm	mm	mm	mm	mm					
<b>065N4006</b>	20	26,9	2,6	20	32	4,0	ø19	140	34	M36x1,5	Screwdriver
<b>065N4007</b>	25	33,7	2,9	20	32	4,0	ø19	140	34	M36x1,5	Screwdriver
<b>065N0221</b>	40	48,3	2,9	32	50	6,2	ø32	172	51	2"	Allen key 10 mm
<b>065N0225</b>	50	60,3	3,2	40	60	7,2	ø40	172	57	2 ¼"	Allen key 10 mm

### Hot tap tool sets:

For DN 20 – DN 50, Code **065N8310** (Feed tool included)

For DN 20 – DN 50, Code **065N8311** (Feed tool **not** included)

For DN 65 – DN 100, Code **065N8312** (Feed tool included)

### Not included:

Drilling machine

Hose for draining water from the hot tapping process.

Code **065N8244** Trix 1000 Steam hose PN 6 for Hot tapping L=5 meter, can be ordered.